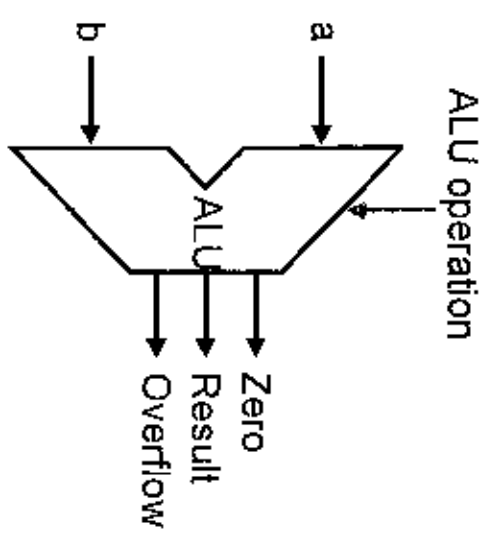


# Test for equality and complete ALU

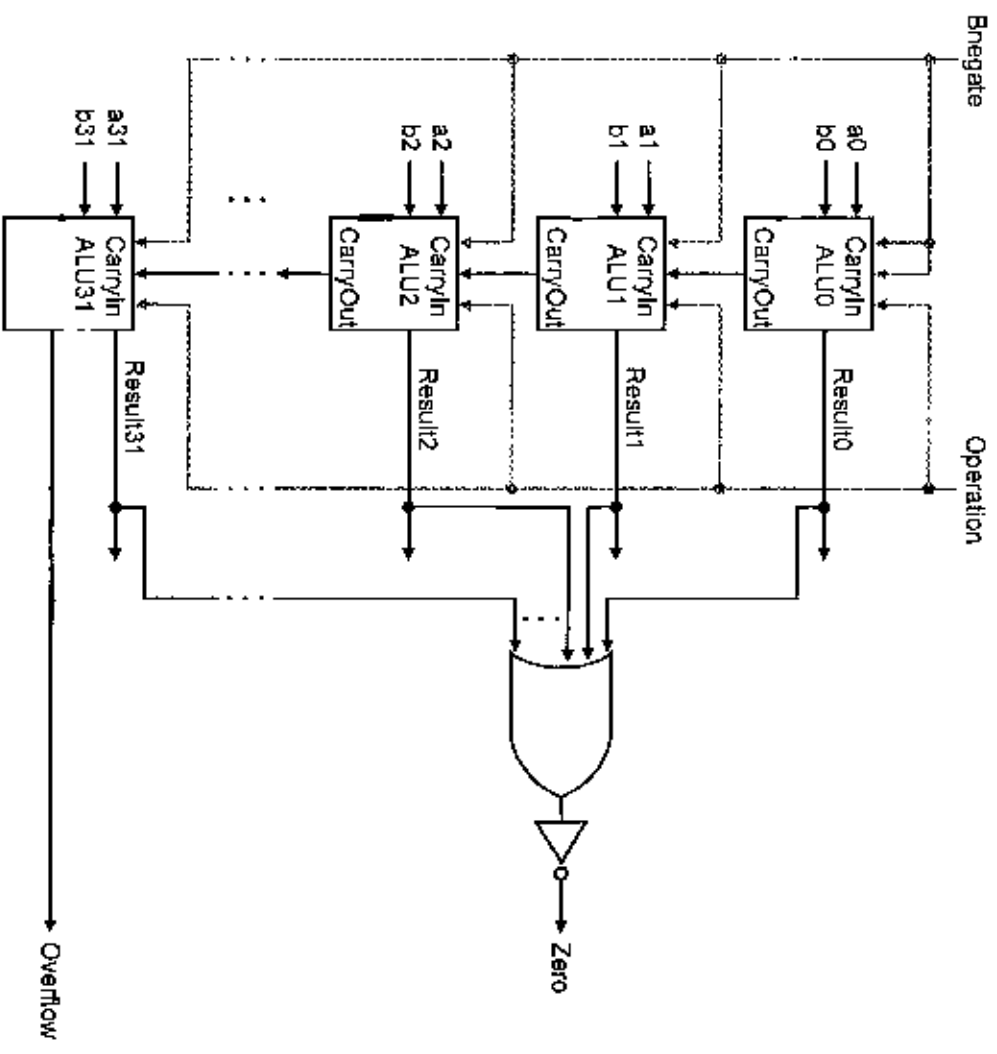


ALU operation:

000 = and  
 001 = or  
 010 = add  
 110 = subtract

Control lines

| Bnegate | Operation | Instruction |
|---------|-----------|-------------|
| 0       | 00        | and         |
| 0       | 01        | or          |
| 0       | 10        | add         |
| 1       | 10        | sub         |



• Note: zero is a 1 when the result is zero!